

# Frigidaire

## Factory Parts Catalog

Product No.	FRT18P6BSB4	FRT18P6BSK4
Series	R134a	R134a
Color	stain/blk (RH)	stain/blk (LH)
Volts	115	115
Wiring Diagram	240398801	240398801
Owner's Guide	240400112	240400112
Market	North America	North America
Energy Guide	218791412	218791412
Service Data Sheet	240379015	240379015
Installation Instructions	240568300	240568300

 **Electrolux**

ELECTROLUX HOME PRODUCTS, INC.  
P.O. Box 212378, Augusta, GA 30917

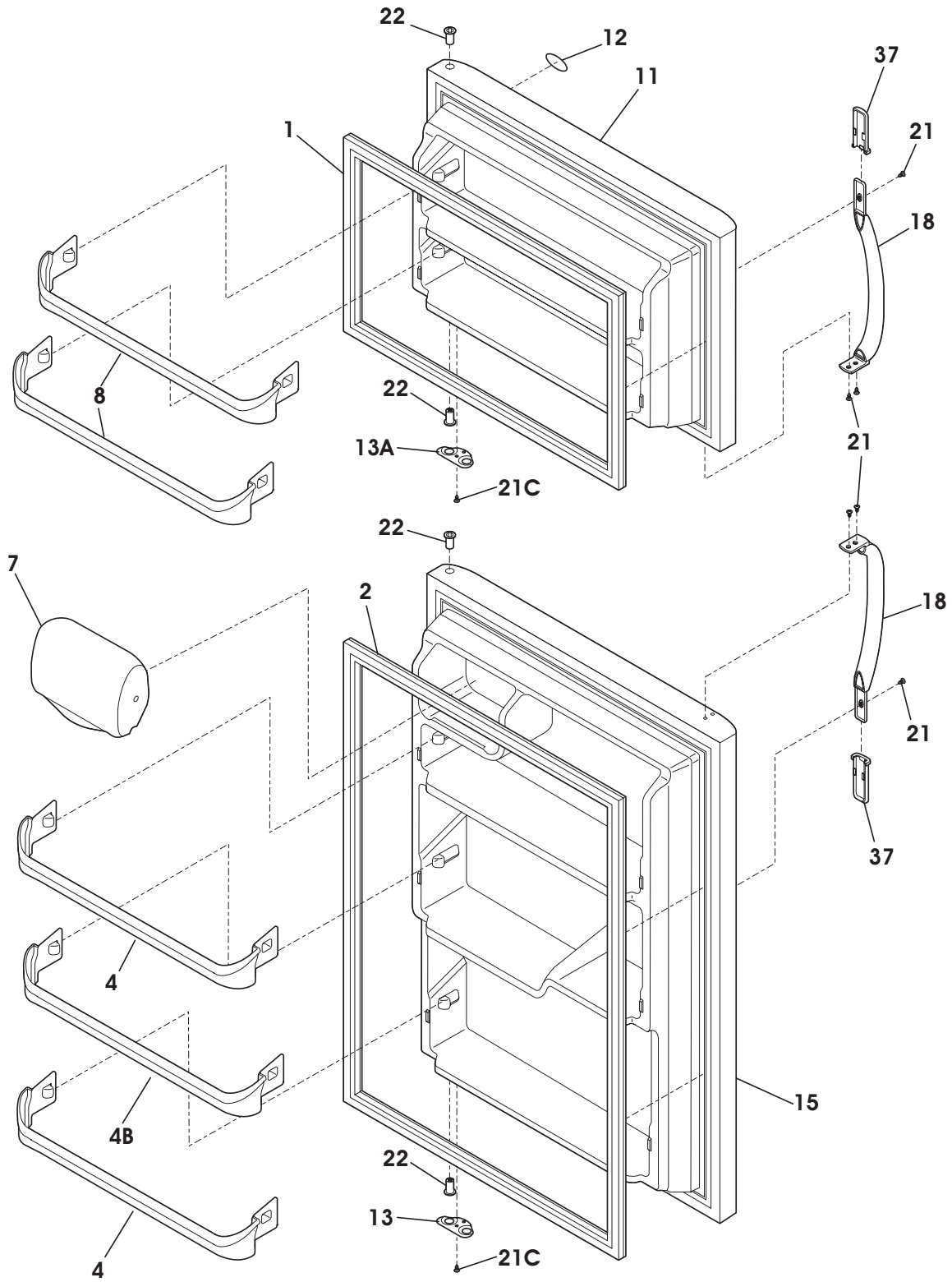
Publication No.  
**5995421566**  
04/11/09  
(EN/SERVICE/DCS)  
390

**TOP-MOUNT  
REFRIGERATOR**

Model No.  
**FRT18P6BS**

Copyright © 2004 Electrolux Home Products, Inc.  
All rights reserved.

DOOR



N05DAACKA0

---

**DOOR**


---

*Model Index:* A FRT18P6BS (FRT18P6BSB4)  
 B FRT18P6BS (FRT18P6BSK4)

POS. NO	PART NO.		DESCRIPTION
1 #	240542109	A B	Gasket-frzr door, black, magnetic
2 #	240542112	A B	Gasket-refr door, black, magnetic
4	240534901	A B	Rack-door
4B	240534701	A B	Rack-door, 4B
7	240337703	A B	Door-dairy, w/o graphics, clear
8	240534801	A B	Rack-door
11	240412503	A -	Door-frzr, stainless, complete assy
11	240412504	- B	Door-frzr, stainless, complete assy
12	240415204	A B	Label-nameplate, black
13	240312405	A B	Door Stop, black, refr
13A	240312406	A B	Door Stop, black, frzr
15	240412603	A -	Door-refr, stainless, complete assy
15	240412604	- B	Door-refr, stainless, complete assy
18	218668003	A B	Handle-door, black
21	240383401	A B	Screw, truss hd quad, #10-16 x .500
21C	218252200	A B	Screw, #8 truss hd, 10-32CA x 0.500
22	240527102	A B	Bearing-hinge, black
37	215870636	A B	Trim-handle, 2.47", black, w/satin AL band
37*	218676004	A B	Band-decorative, satin aluminum, handle trim
*	218490901	A B	Cleaner, stainless steel

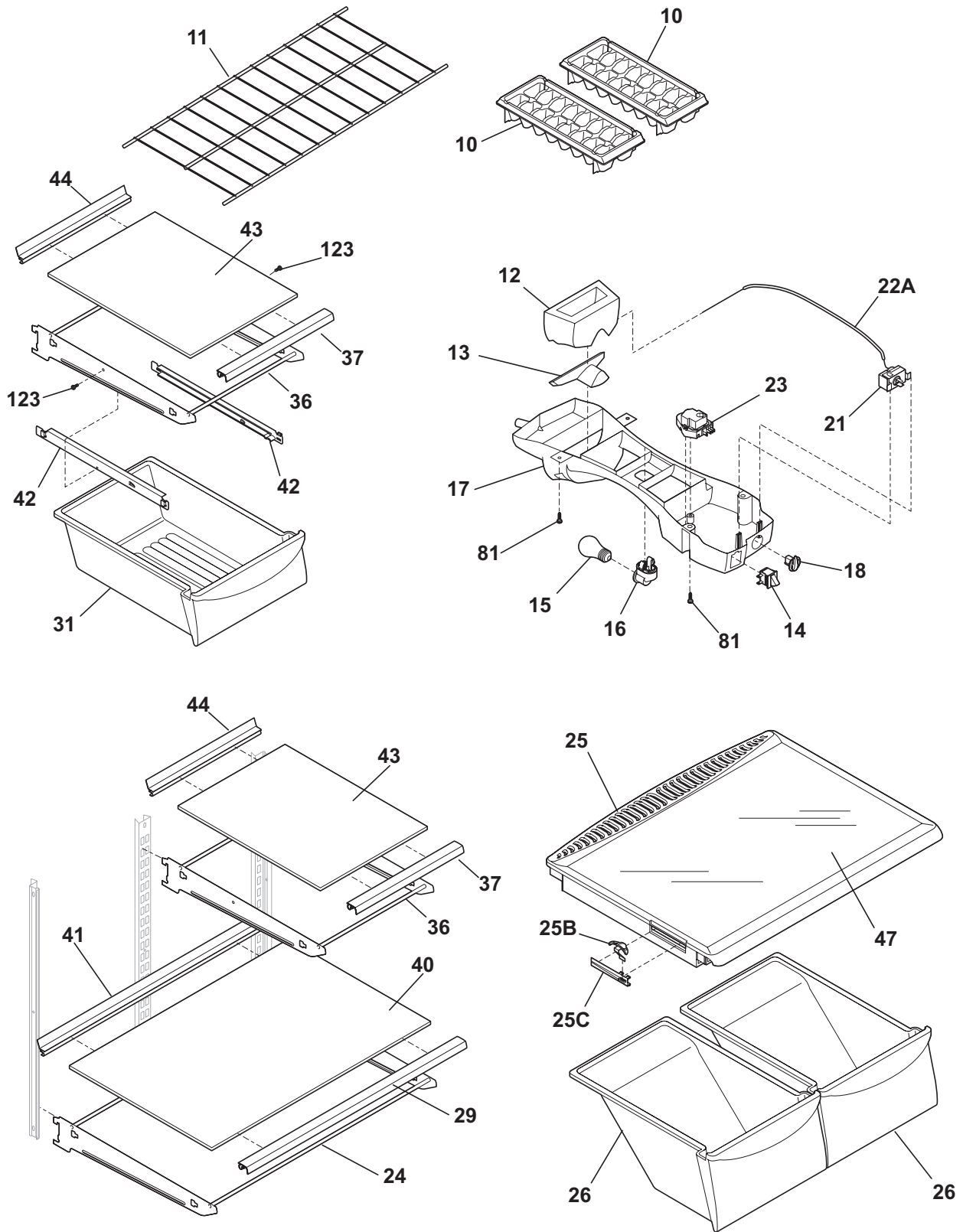


**CABINET**

*Model Index:* A FRT18P6BS (FRT18P6BSB4)  
B FRT18P6BS (FRT18P6BSK4)

POS. NO	PART NO.		DESCRIPTION
1	240355401	A B	Cover-fan
2	240367001	A B	Knob-damper control
3	5303001028	A B	Nut, push-on
4	241523701	A B	Damper-fan cover
5 #	5308000010	A B	Fan Blade, red, evaporator fan
8	5300157666	A B	Bushing-motor mtg, (2)
9	5303292396	A B	Bracket-motor mtg, front
10	240462010	A B	Cover-evap coil
10*	240568601	A B	Seal-coil cover
10*	241520701	A B	Harness-wiring, freezer
11	5303208309	A B	Plug-hole, factory test
12	241557601	A B	Plug-ice maker harness, rectangular
12A	240374401	A B	Plug-wtr inlet tube, round, 1"
12A*	241586701	A B	Plug-foam-wtr-inlet, round
13	240369702	A B	Motor-evap fan
13*	215474201	A B	Washer, "slinger", nylon, evap fan shaft
13*	218931001	A B	Clamp-motor wiring, nylon, w/adhesive tape
14	5303292397	A B	Bracket-motor mtg, rear
14*	240433201	A B	Screw, hex washer head, 8-18 x 0.375
21C	218252200	A B	Screw, #8 truss hd, 10-32CA x 0.500
22	215774918	A B	Plug-button, black, upr hinge holes
28	240335501	A B	Bolt-roller adj, hex washer head, 1/4-20 x 4.020, (2), special
30	240314003	A B	Bracket-lower hinge, black
34	240311303	A B	Washer, hinge, nylon, (2)
35	240313803	A B	Bracket-ctr hinge, black
35A	240336802	A B	Spacer-hinge, center
36	240516401	A B	Pin-center hinge
37	241611303	A B	Trim-cabinet corner, black, (2)
38	240313701	A B	Bracket-upper hinge
40	240354404	A B	Cover-upper hinge, black
41	5308009759	A B	Grommet, shelf mtg, 1.25", LH
42	240578901	A B	Screw-hinge mtg, hex head, 1/4-20 x 5/8
43	240335003	A B	Roller Assy, front, (2)
47	218233300	A B	Channel-shelf mtg, side, (2)
48	5303292395	A B	Channel-shelf mtg, center
49	218362500	A B	Screw, hex washer head, 8-18AB x 1.250, spacer, (2)
56	240516501	A B	Pin-lower hinge
58	5303001343	A B	Screw, hex washer head, 8-15A x 0.500
59	240442703	A B	Screw-#10-32 X 3/4, black
72	240368207	A B	Grille/Kickplate, black
81	5308016566	A B	Screw, hex washer head, 8-15A x 0.625, low profile
82	5304418225	A B	Roller, compressor base, rear, (2)
83	5303316859	A B	Rivet, flat head, 1/4 OD x 1-3/4, roller pin
89	241574607	A B	Cover-access, w/label
89*	241500302	A B	Screw, hex washer head, 8-18AB x 0.625
92	5303001479	A B	Screw-hinge mtg, hex hd, 1/4-20 x 0.875
*	240479601	A B	Plug, button, cab liner holes, (2)
*	5303305345	A B	Paint, touch-up, black

**SHELVES**



**N05SAAAE13**

**SHELVES**

*Model Index:* A FRT18P6BS (FRT18P6BSB4)  
B FRT18P6BS (FRT18P6BSK4)

POS. NO	PART NO.		DESCRIPTION
10	215667501	A B	Tray, ice cube, plastic
11	240358002	A B	Shelf-freezer, full width
12	241542001	A B	Diffuser, air, top
13	240362601	A B	Diffuser, air, bottom
14 #	241554901	A B	Switch-light/lamp
15	240436702	A B	Light Bulb/Lamp, A-15, clear, 40 W, 120 V, miniature
16	241559801	A B	Socket-light
17	240352701	A B	Control Box
17*	240568607	A B	Seal
17*#	240388701	A B	Wiring Harness, control box
18	240360801	A B	Knob, temp control
21 #	5304421256	A B	Control, temperature
22A	240468201	A B	Tube, sensor sleeve, 31 inch, plastic, white
23 #	241621501	A B	Timer-defrost
23*	5303001259	A B	Screw-timer mtg, pan hd, 6-20 x 0.438, (2)
24	240373102	A B	Frame-full shelf, cantilever
25	240364713	A B	Cover-crisper pan, with beam, humid cont
25B	240361202	A B	Knob, humidity cont.
25C	240361301	A B	Damper, humidity cont.
26	240337107	A B	Pan-crisper, clear, (2), no graphics
29	240357701	A B	Trim-shelf, 24.48", front
31	240530810	A B	Pan, meat bin
36	240373103	A B	Frame-half shelf, cantilever
37	240357702	A B	Trim, shelf, 11.95", front
40	240443908	A B	Glass-shelf, 24.45" x 15.92", full width
41	240357801	A B	Trim-shelf, 24.48", rear
42	240530601	A B	Track, meat pan hanger, LH
42	240530701	A B	Track, meat pan hanger, RH
43	240443905	A B	Glass-shelf, 11.92" x 15.92", half shelf
44	240357802	A B	Trim, shelf, 11.95", rear
47	240350643	A B	Insert-pan cover, glass
81	5308016566	A B	Screw, hex washer head, 8-15A x 0.625, low profile
123	215005100	A B	Screw, hanger/rlr mtg, 8-10 x 0.438
*	218791412	A B	Energy Guide, tag



---

**SYSTEM**


---

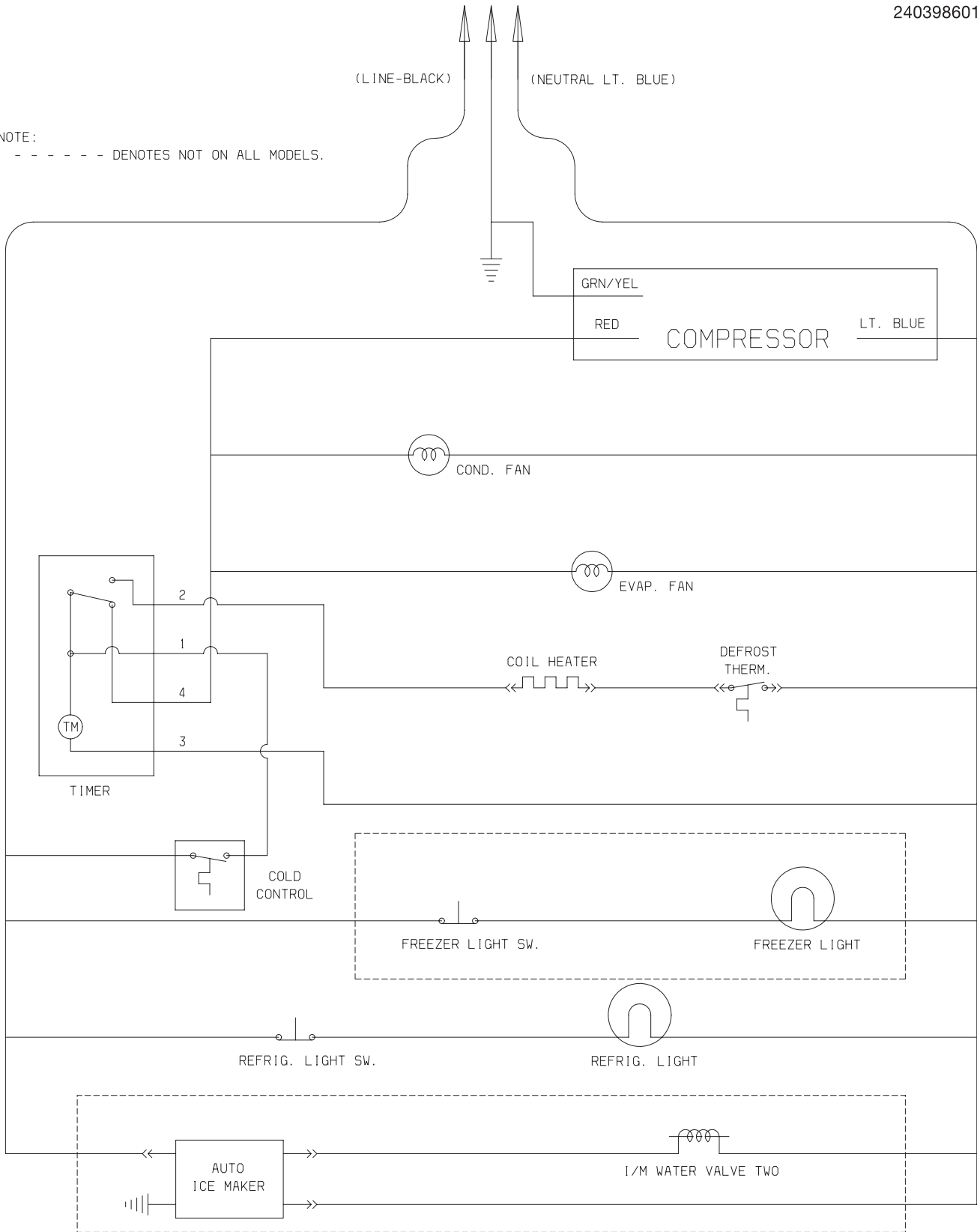
*Model Index:*    A FRT18P6BS (FRT18P6BSB4)  
                           B FRT18P6BS (FRT18P6BSK4)

POS. NO	PART NO.		DESCRIPTION
1 #	240444401	A B	Condenser, dynamic
4 #	218944001	A B	Drier-filter, R134a System
6 #	240581701	A B	Harness-wiring, machine compt
6*	241520701	A B	Harness-wiring, freezer
6* #	240388701	A B	Wiring Harness, control box
6* #	240581801	A B	Harness-wiring, compressor
14 #	5303918208	A B	Defrost Heater Kit
15 #	5303918274	A B	Evaporator Kit
16	5308000110	A B	Strap-evap/heater, aluminum, (2)
17	241551801	A B	Trough-drain
20	241551901	A B	Insulation Block
21 #	5303918202	A B	Thermostat-defrost, kit
22	241602001	A B	Base-compressor
22*	218252200	A B	Screw, #8 truss hd, 10-32CA x 0.500
23	218513300	A B	Grommet-compr mtg, (4)
25	240491501	A B	Screw-compressor mtg, 1/4-28 x 1.16, shoulder, typ CF
26	240332605	A B	Pan-defrost drain
29 #	5303918297	A B	Compressor, w/electricals
30 #	5304433579	A B	Relay
31 #	5304433578	A B	Overload Protector
34	240405201	A B	Grommet, rubber, black, cond tube/wire
41	240433202	A B	Screw, hex washer head, 8-18 x 5/16
44	5303001199	A B	Clamp-wiring harness, strain relief, galv steel
45	5308016566	A B	Screw, hex washer head, 8-15A x 0.625, low profile
56	240582001	A B	Cover-terminal
57	240542601	A B	Clip-wiring harness
58	218897002	A B	Screw, hex washer head, 8-32 x 0.375
59	5304430246	A B	Bracket-cond motor assy
59*	240346701	A B	Tape-foam seal, shroud
59*	240359401	A B	Screw-fan shroud, (2)
60	240525402	A B	Motor, condensor fan
61 #	240524101	A B	Fan Blade, galv steel, condenser fan
82	5304418225	A B	Roller, compressor base, rear, (2)
83	5303316859	A B	Rivet, flat head, 1/4 OD x 1-3/4, roller pin
84	240500801	A B	Tube-drain, rubber, lower
85	240493101	A B	Tube-connector, suction
* #	240396801	A B	Clamp, tube/wiring, nylon, black/natural
*	5303918222	A B	Hot Tube Repair Kit, Service
* #	5303918263	A B	Heat Exchanger Kit, suction line

### WIRING SCHEMATIC

240398601

NOTE:  
- - - - - DENOTES NOT ON ALL MODELS.



### WIRING DIAGRAM

