

*Frigidaire*

Factory Parts Catalog

Product No.	FEF336BCH
Series	30" f/s elec
Color	stainless
Market	North America
Wiring Diagram	316255301
Owner's Guide	316257128
Installation Instructions	316259206
Service Data Sheet	316218512

 **Electrolux**

ELECTROLUX HOME PRODUCTS, INC.  
P.O. Box 212378, Augusta, GA 30917

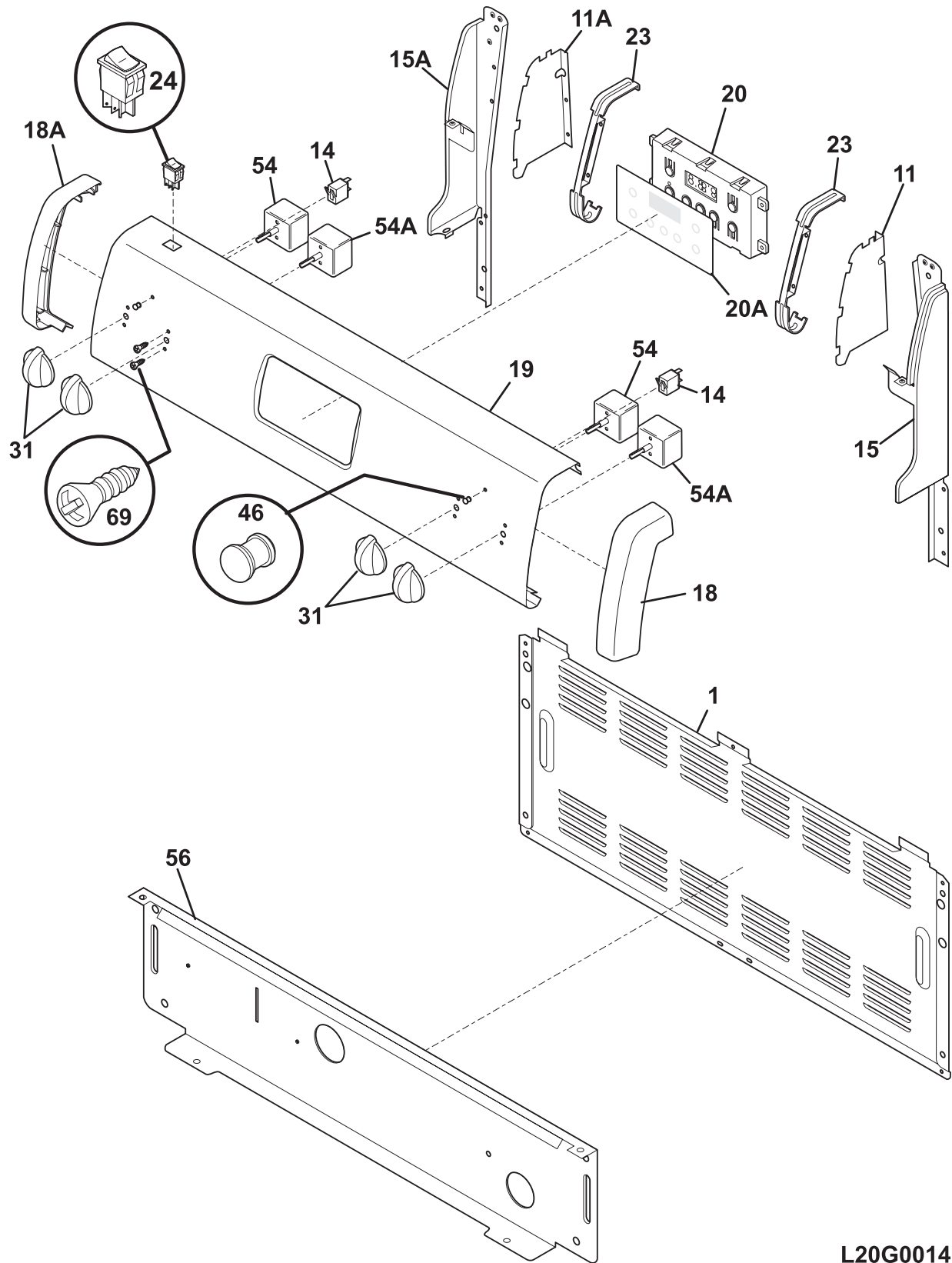
Publication No.  
**5995415493**  
04/08/20  
(EN/SERVICE/ECL)  
369

**30-INCH FREE-  
STANDING ELECTRIC  
RANGE**

Model No.  
**FEF336B**

Copyright © 2004 Electrolux Home Products, Inc.  
All rights reserved.

**BACKGUARD**

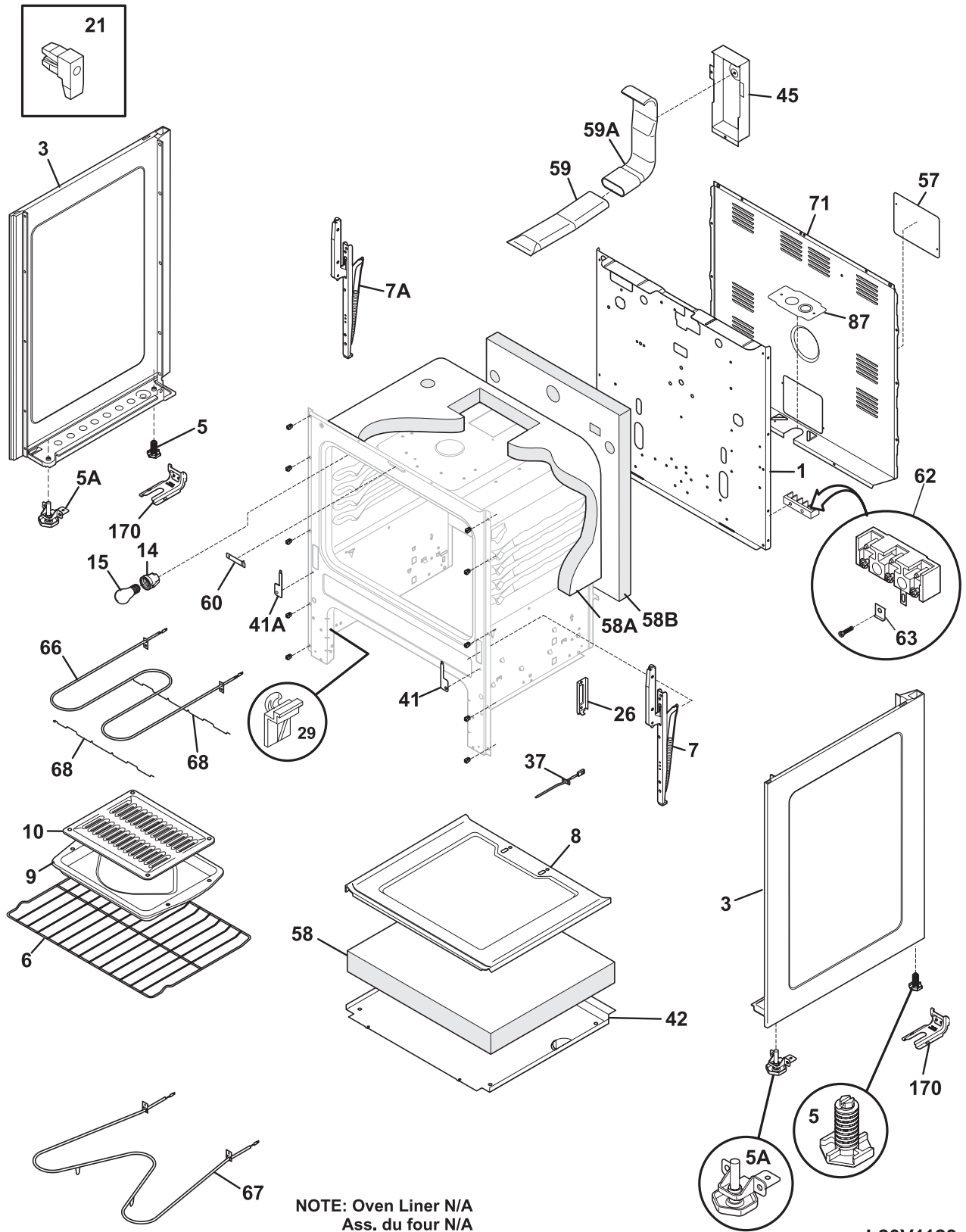


**L20G0014**

**BACKGUARD**

POS. NO	PART NO.	DESCRIPTION
1	316239900	Shield, backguard, rear wall
11	316241000	Shield, end cap, RH
11A	316241001	Shield, end cap, LH
14	316022500	Light/Lamp, indicator, 125 V
15	316220216	Support, backguard, black, RH
15A	316220217	Support, backguard, black, LH
18	316240904	End Cap, black, RH
18A	316240905	End Cap, black, LH
19	316246621	Panel, backguard, black
20 #	316222807	Clock/Timer, electronic, ES100
20A	316220701	Overlay, clock, black
23	316245900	Bracket, clock mtg
24 #	316246001	Switch, rocker, black, oven light
31	316223002	Knob, black
46	316040201	Lens, indicator light, red
54 #	316021500	Switch, infinite, small element
54A#	316021501	Switch, infinite, large element
56	316234003	Shield, backguard, black, inner
69	5303288565	Screw, truss sqdr, 8-32 x 3/16, switch mtg
*	218490900	Cleaner, stainless steel
*	316021108	Screw, cup pt, 8-18 x 0.375, chrome
*	316021110	Screw, 8-18 x 0.5, black

**BODY**



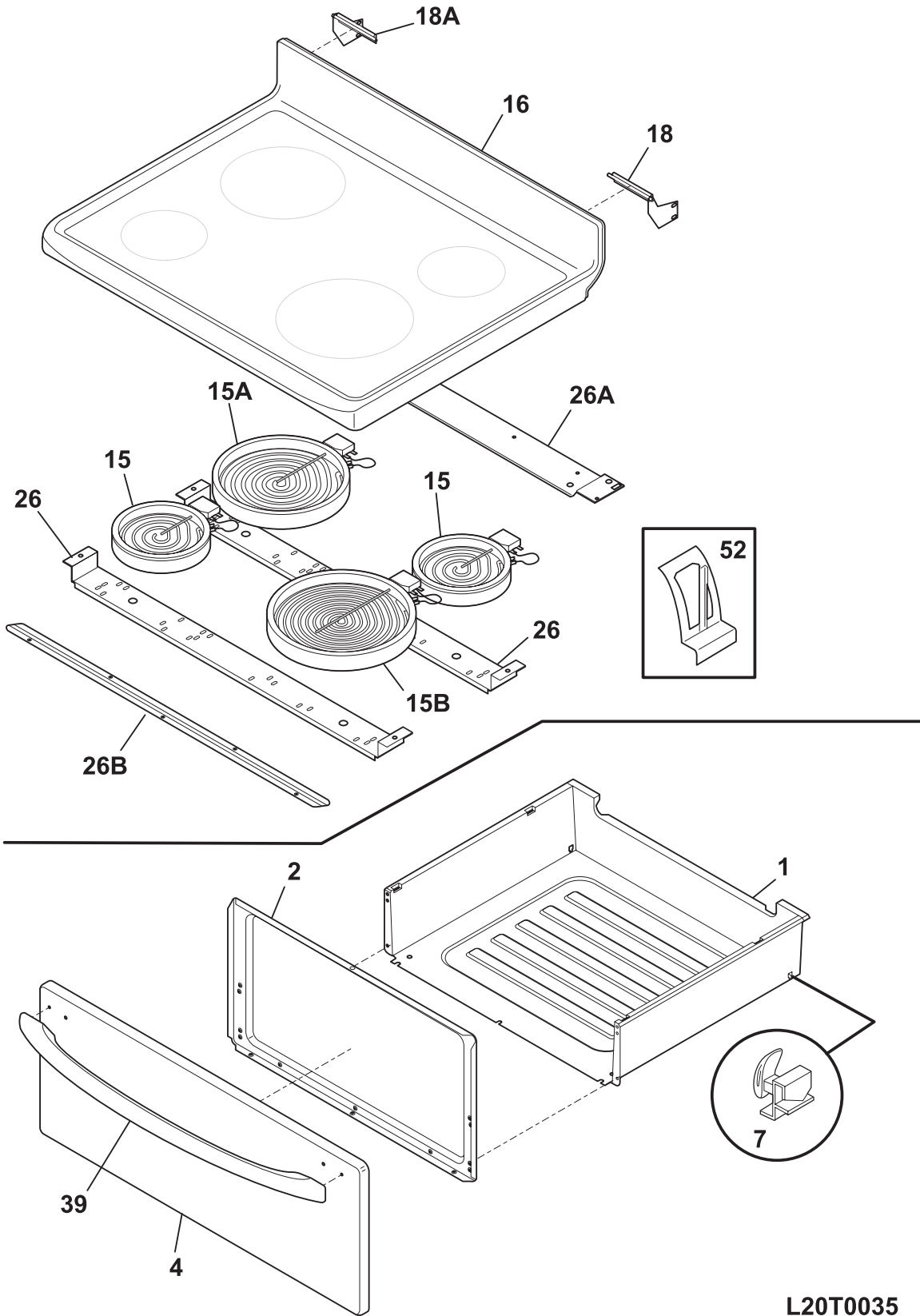
NOTE: Oven Liner N/A  
Ass. du four N/A

L20V1123

**BODY**

POS. NO	PART NO.	DESCRIPTION
1	316201300	Back, main
3	316400104	Panel, bodyside, black, RH
3	316400105	Panel, bodyside, black, LH
5	316272900	Screw, leveling, plastic, rear, (2)
5A	316407200	Leveling Leg Assy, metal, front, (2), bracket & leg
6	316067902	Rack, oven
7	316216506	Hinge, oven door, RH
7A	316216507	Hinge, oven door, LH
8	3203540	Panel, oven bottom
9	316081900	Pan, broiler
10	316082000	Insert, broiler pan
14	316116400	Receptacle, oven light
15	5303013071	Bulb/Lamp, oven light
21	316408000	Clip, bodyside
26	316206300	Support, chassis, (2)
29	3051162	Glide, drawer, front
37 #	316233900	Probe, oven temp
41	316233400	Cover, hinge cutout, RH
41A	316233500	Cover, hinge cutout, LH
42	316206200	Shield, wool, lower
45	316234100	Shield, wire, vent tube
57	316081100	Cover, access
58	3200847	Insulation, oven bottom
58A	316047707	Insulation, 1", oven wrapper
58B	316054202	Insulation, 1", oven back
59	316208200	Tube, oven vent, lower
59A	316208302	Tube, oven vent, upper
60	316239100	Cover, oven front
62	5303935238	Terminal Block Kit, w/ground plate
62*	316205500	Nut, hex flange, 3/8 10-32
63	316278800	Plate, grounding strap
66 #	316203200	Element, broil
67	316075103	Element, bake
68	316203400	Support, broil element
71	316015815	Shield, rear wall
71*	316248900	Spacer, shield, rear wall
87	316081200	Bracket, cable mtg
170	5303935180	Anti-tip Kit, w/bracket, screw
170*	316107200	Bracket, anti-tip
170*	316112500	Template, anti-tip
170*	316116000	Screw, concrete, 1.75", anti-tip brkt
* #	316253145	Wiring Harness, main
*	3203550	Plug, button, oven bottom
*	316427400	Plate, weight, (4)
*	5303305345	Paint, touch-up, black
*	316021108	Screw, cup pt, 8-18 x 0.375, chrome
*	5303271648	Screw, wafer hd sq dr, 8-18AB x 0.5
*	5303280311	Screw, wafer hd sq dr, 10-32 x 0.312
*	5303285179	Screw, wafer head, 8-32T x 0.500, black
*	5308014215	Screw, 6-20 x 0.312

TOP/DRAWER

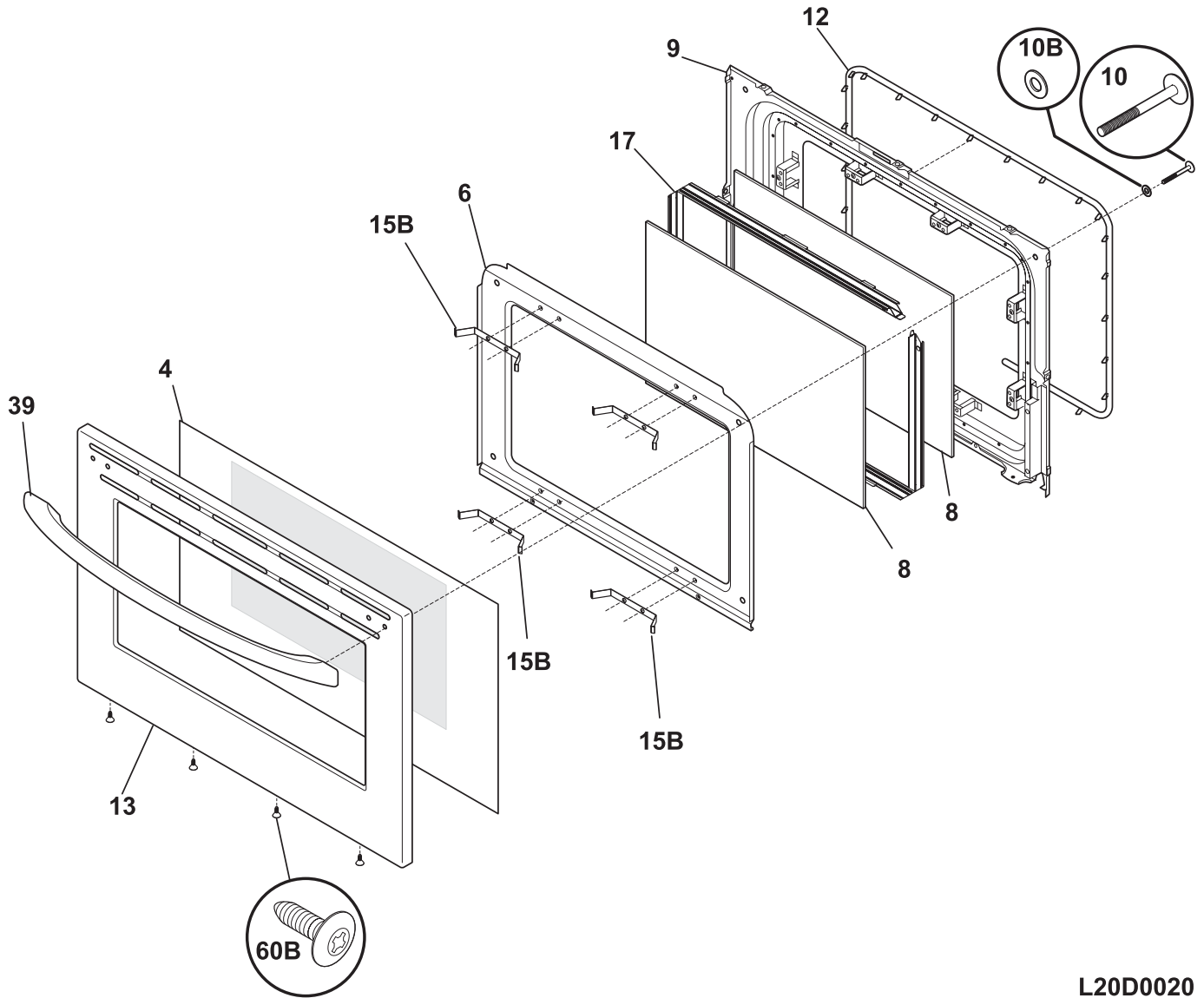


L20T0035

**TOP/DRAWER**

POS. NO	PART NO.	DESCRIPTION
1	316011503	Drawer
2	316231500	Liner, drawer
4	316248802	Panel, drawer, stainless
7	3051163	Glide, drawer, rear
15 #	316010205	Element, surface, 6", 1200 W, radiant
15A#	316010206	Element, surface, 8", 2200 W, radiant
15B#	316224200	Element, surface, 9", 2500W, radiant
16	316251903	Main Top Assy, glass/steel, black
18	316235900	Hinge, main top, RH
18A	316235901	Hinge, main top, LH
26	316427600	Channel, element support, (2)
26A	316099202	Bracket, chassis support, rear
26B	316214200	Bracket, chassis support, front
39	316203000	Handle, door, black
52	316278300	Clip, element mtg
*	316253518	Wiring Harness, surface element
*	316279700	Cleaner, stainless steel
*	316264000	Cleaner, cooktop
*	316021108	Screw, cup pt, 8-18 x 0.375, chrome
*	316021110	Screw, 8-18 x 0.5, black
*	5303280311	Screw, wafer hd sq dr, 10-32 x 0.312
*	5308014215	Screw, 6-20 x 0.312

**DOOR**



**L20D0020**

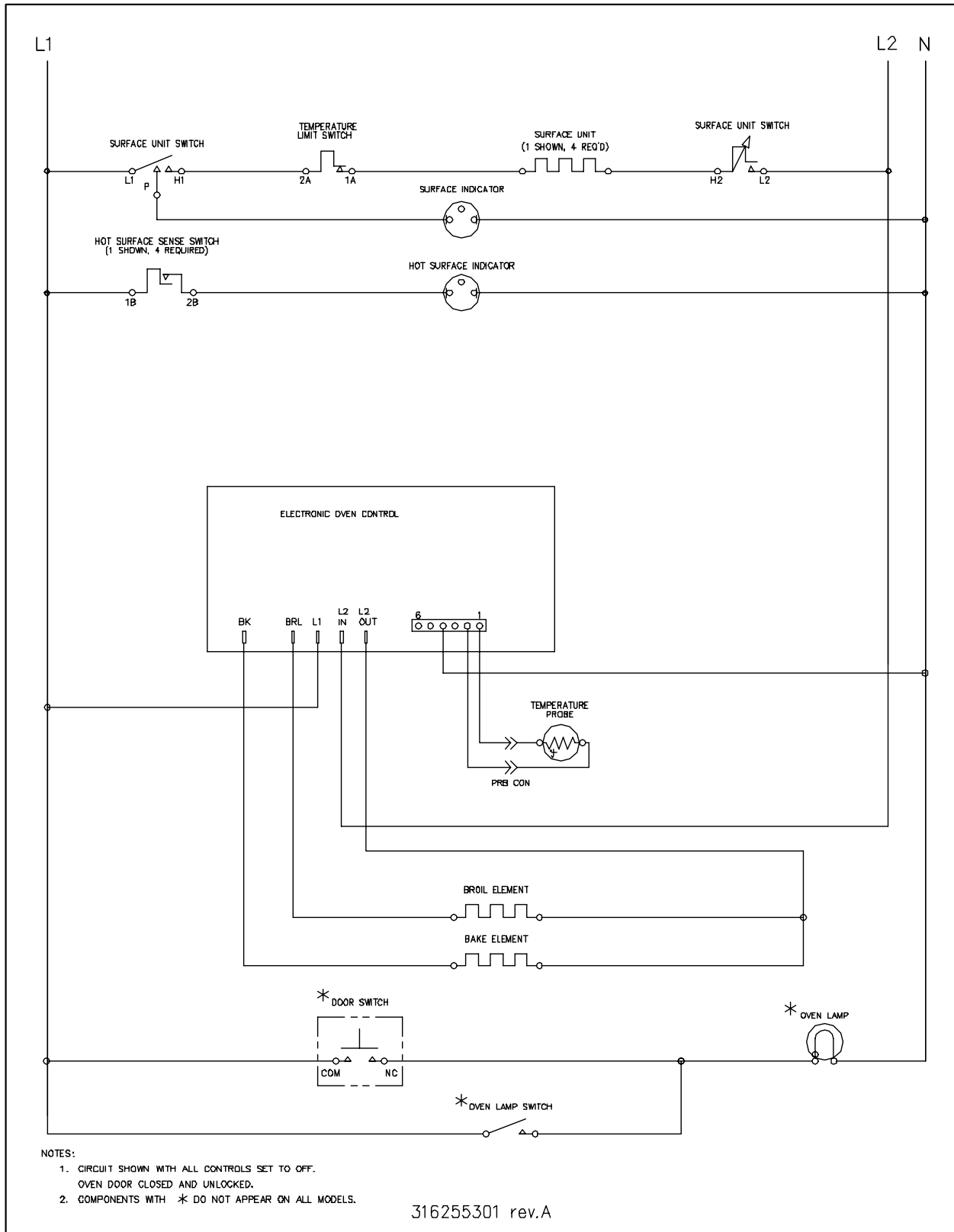
---

**DOOR**


---

POS. NO	PART NO.	DESCRIPTION
4	316240000	Glass, oven door, black, outer
6	316222711	Shield, wool, black, oven door
8	316237100	Glass, oven door, clear, heat barrier
9	316230617	Liner, oven door
10	316001015	Screw, waf hd sq, 10-24 x 1.25, (2), handle mtg
10B	316008401	Washer, 3/4 OD x 1/4 ID, steel
12	316239700	Seal, oven door
13	316209402	Panel, oven door, stainless, outer
15B	316085501	Bracket, glass support
17	316117701	Spacer, door glass, (2)
39	316203000	Handle, door, black
60B	316021110	Screw, 8-18 x 0.5, black
*	316221001	Label, anti-tip
*	316279700	Cleaner, stainless steel
*	5303271648	Screw, wafer hd sq dr, 8-18AB x 0.5
*	5303280311	Screw, wafer hd sq dr, 10-32 x 0.312
*	5303285179	Screw, wafer head, 8-32T x 0.500, black

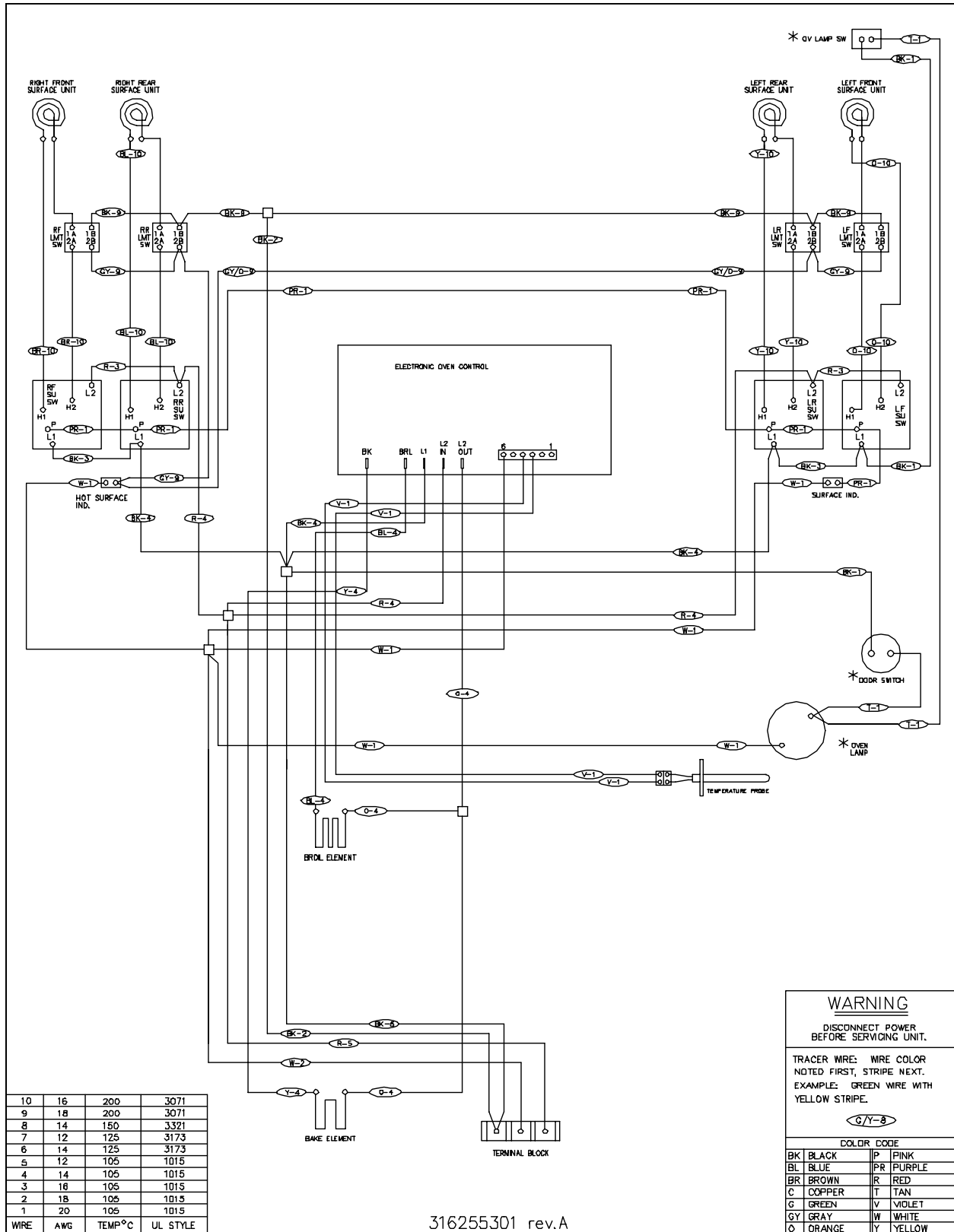
### WIRING SCHEMATIC



- NOTES:
- 1. CIRCUIT SHOWN WITH ALL CONTROLS SET TO OFF.  
OVEN DOOR CLOSED AND UNLOCKED.
  - 2. COMPONENTS WITH \* DO NOT APPEAR ON ALL MODELS.

316255301 rev.A

WIRING DIAGRAM



10	16	200	3071
9	18	200	3071
8	14	150	3321
7	12	125	3173
6	14	125	3173
5	12	105	1015
4	14	105	1015
3	16	105	1015
2	18	105	1015
1	20	105	1015
WIRE	AWG	TEMP °C	UL STYLE

316255301 rev.A

**WARNING**  
DISCONNECT POWER BEFORE SERVICING UNIT.

TRACER WIRE: WIRE COLOR NOTED FIRST, STRIPE NEXT.  
EXAMPLE: GREEN WIRE WITH YELLOW STRIPE.

**GY/Y-8**

COLOR CODE			
BK	BLACK	P	PINK
BL	BLUE	PR	PURPLE
BR	BROWN	R	RED
C	COPPER	T	TAN
G	GREEN	V	VIOLET
GY	GRAY	W	WHITE
O	ORANGE	Y	YELLOW